



## <Outline of POUCH DISPENSER>

POUCH DISPENSER is developed to cut each pouch in fixed size and deliver it to the right position of another packaging operation, using a continuous of pre-packed pouches sealed in 3-side or 4-side.

# KD-810 POUCH DISPENSER

## Compact Body with Double-knife Driving System



KD-810

### ■ Feature

- Fast operation additionally improved to attain dispensing capacity of 300 pouches per minute!
- Double-knife cutter allowing pouches 30 mm in thickness to be dispensed
- Cutter unit driven by AC servomotor
- Cutter orientation adjustable to prevent skewed cutting (registered utility model: no. 3078499)
- Easy-to-remove cutter unit for increased maintainability
- Control by high-performance 16-bit microcomputer
- CE-certified versions available
- Wide choice of options

## Standard Options

- **Non-contact pitch measuring unit**  
Performs noncontact detection of seal areas of pouches.
- **Feed unit**  
Aids in fixed-quantity feeding when dispensing heavy pouches.
- **Vibrator**  
Ensures reliable thickness detection where the contents are fine particles.
- **Liquid unit**  
Ensures reliable thickness detection where the contents are liquid.
- **Variable frame**  
803 to 1121 mm

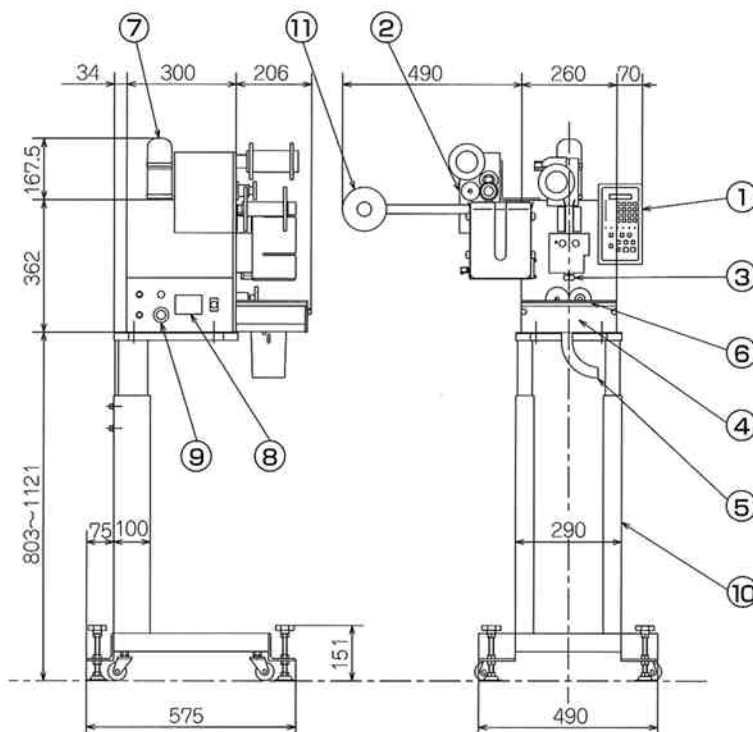


<KD-810F>

## Technical Data

<b>Capacity</b>	300 pouches per minute at the maximum (with pouch length being 50 mm) * The machine's capacity decreases with increasing pouch pitches. The maximum capacity is subject to variation under different conditions.
<b>Pouch dimensions</b>	Width 1 0 0 mm (MAX) Length 1 5 0 mm (MAX) Thickness 3 0 mm (MAX)
<b>Machine size</b>	2 6 0 mm (W) × 3 6 2 mm (H) × 5 0 6 mm (D) <Main Body>
<b>Deviation of cutting position</b>	1.5 mm max
<b>Power</b>	3 φ AC 2 0 0 / 2 2 0 V 5 0 / 6 0 Hz 1 . 5 kVA
<b>Mass</b>	C a . 3 0 k g <Main Body>
<b>Driver(Cutter)</b>	AC servomotor

## Name of Parts and Size



- ① Control Box
- ② Feed Unit (option)
- ③ Thickness Sensor Roll
- ④ Cutter Unit
- ⑤ Chute
- ⑥ Driving Unit of Definite Measure
- ⑦ Lamp
- ⑧ Power Switch
- ⑨ Connector
- ⑩ Frame (option)
- ⑪ Roll Unit A

<KD-810F>

## ● Principal peripheral devices

### Pouch dispenser equipped with suction and dispensing unit



#### Accurate dispensing to a fixed position

##### <Features>

Fast dispensing at a rate of 150 pouches per minute.

Accurate dispensing to a fixed position, driven quietly by an AC servomotor.

Best suited to dispensing at a right angle or dispensing involving affixing pouches.

In combination with TM-120 (double-faced tape affixing machine), the dispenser can cut a continuous pouches provided with a double-faced tape into single pieces and affix them to a designated position.

### Perforation/I-notch/discharge conveyor-equipped pouch dispenser



#### Perforation and fast cutting

##### <Features>

Perforated double or triple cutting.

Fast dispensing at 200 pouches per minute (pouch length: 90 mm).

Discharge conveyor holding and feeding pouches for reliable dispensing.

Air cylinder-operated notch unit mounted.

### Pouch dispenser equipped with KK-300 fixed-position dispensing unit



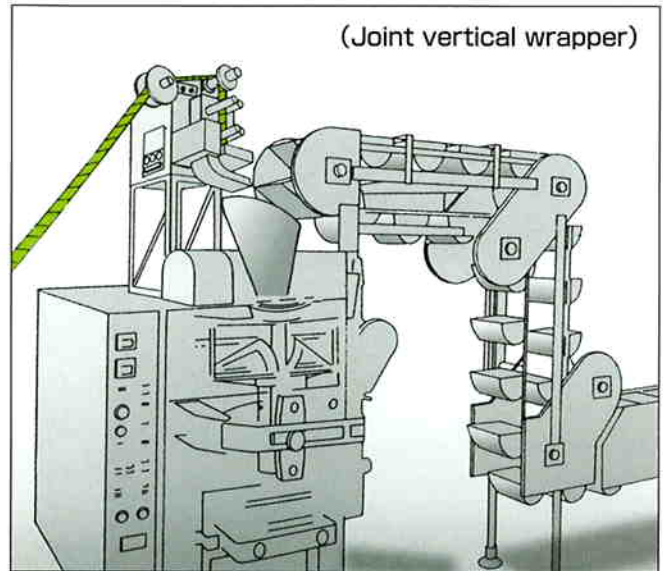
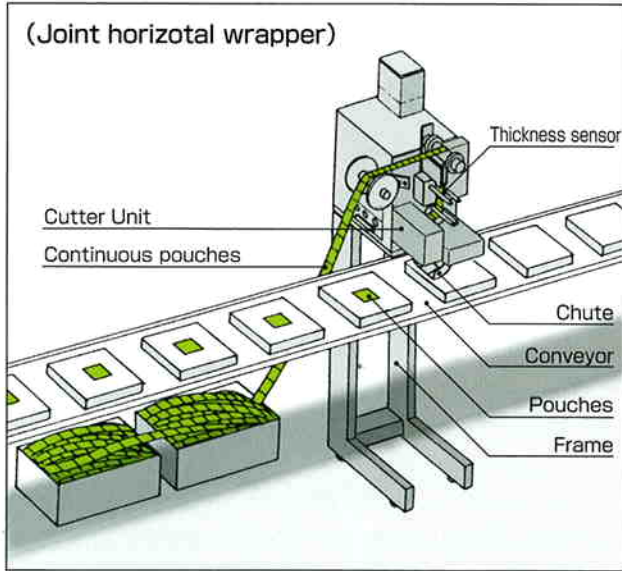
#### Dispensing to a fixed position keeping pace with the line speed

##### <Features>

Dispenses pouches keeping pace with the line speed of the packaging machine.

Provided with an easily removable belt unit.

● Illustration of POUCH DISPENSER

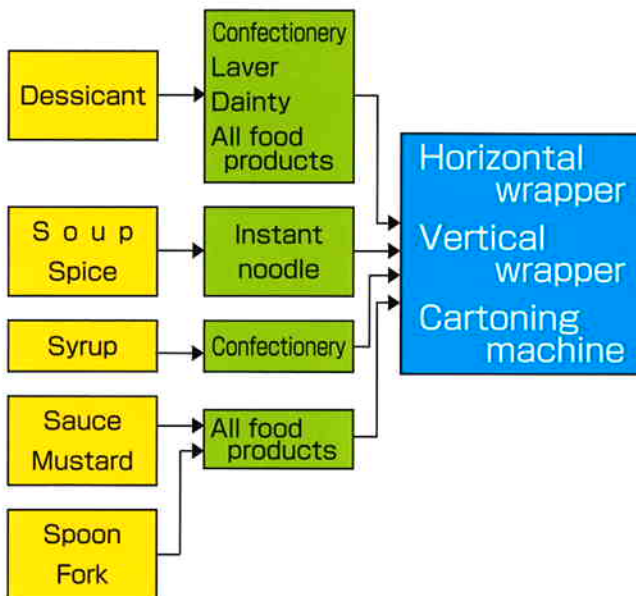


● Example of usage

<Objective goods>

<Dispensing pouches>

<Joint machine>



● CE-certified

Dispensers meeting EC specifications are also available.

Specifications are subject to change without notice.

**MITSUHASHI CORPORATION**

Head Office 1, Sekizan-cho Yamanouchi Ukyo-ku Kyoto 615-0082, Japan  
 Phone: 81(75)316-3300 Facsimile: 81(75)313-7595

Tokyo Office Comfall Murakami 4F, 1-10-1 Komagata Taitou-ku Tokyo 111-0043, Japan  
 Phone: 81(3)3847-9751 Facsimile: 81(3)3847-9753

Kyushu Office Minamikindai Building 6F, 4-2-10 Hakataekiminami Hakata-ku  
 Fukuoka 812-0016, Japan  
 Phone: 81(92)476-3800 Facsimile: 81(92)476-3801

HOME PAGE <http://www.mitsubishi-corp.co.jp> E-mail [info@mitsubishi-corp.co.jp](mailto:info@mitsubishi-corp.co.jp)

F-253  
051010WH